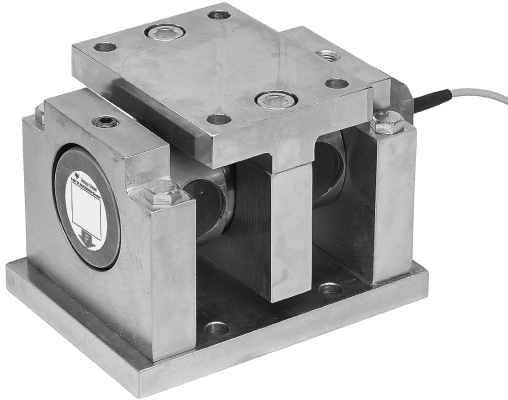


Weigh Module



FEATURES

- Simple installation
- No extra mounting detail is needed
- Suitable for weighing in large size
- Movable load point
- Allow movement caused by thermal expansion
- Atex approved for hazardous areas

TECHNICAL DATA

Rated load (R.L.)		kN	500, 800
Combined error (terminal)		% of R.O.	± 0.1
Repeatability		% of R.O.	0.02
Overload	safe	% of R.L.	50
	ultimate	% of R.L.	100
	recommended	V DC or AC	10
Input voltage	maximum	V DC or AC	18
		ohm	350 ± 5
Input resistance		ohm	350 ± 0.5
Output resistance		mV/V	2.040
Rated output (R.O.)		% of R.O.	± 0.25
Tolerance of R.O.		% of R.O.	± 2
Zero balance		% of value**	± 0.25
Tolerance of shunt calibration values		% of R.L.	± 0.03
Creep at R.L. after 30 min		°C	- 40 to + 80 (+ 100)***
Temperature range	on output	% of output/°C	± 0.003
	on zero balance	% of R.O./°C	± 0.003
Insulation resistance at 200 V DC		Gohm	> 4
Material			Yellow chromate steel
Electrical connection			10 m shielded four conductor cable IP 67

*referring to recommended loading case

**See calibration sheet of the load cell

***- 40 to + 100°C on demand

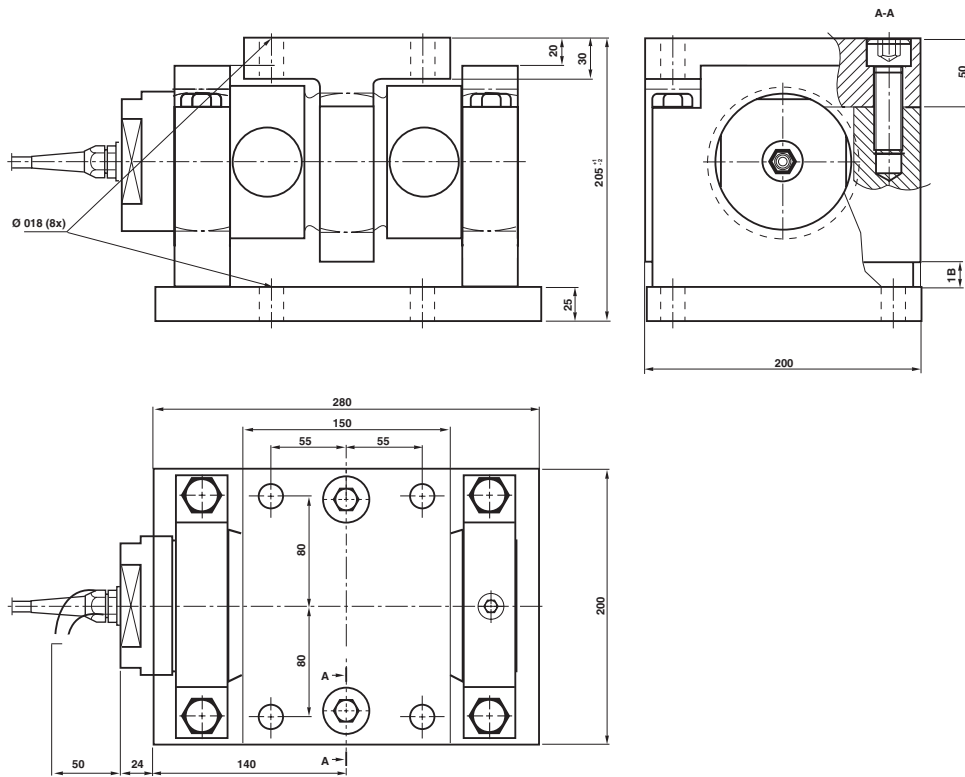
ATEX certified versions for use in explosive atmospheres are available.



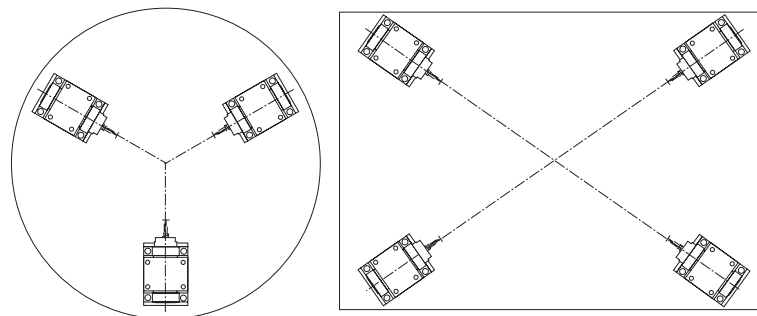
II 1GD

EEx ia IIC T4 Tamb = 60°C

DIMENSIONS KIMD-1 MODULE



ORIENTATION OF WEIGH MODULES



Recommended weigh module orientation in order to give self locking conditions and freedom for mechanical movements caused by temperature.

Disclaimer

ALL PRODUCTS, PRODUCT SPECIFICATIONS AND DATA ARE SUBJECT TO CHANGE WITHOUT NOTICE.

Vishay Precision Group, Inc., its affiliates, agents, and employees, and all persons acting on its or their behalf (collectively, "Vishay Precision Group"), disclaim any and all liability for any errors, inaccuracies or incompleteness contained herein or in any other disclosure relating to any product.

The product specifications do not expand or otherwise modify Vishay Precision Group's terms and conditions of purchase, including but not limited to, the warranty expressed therein.

Vishay Precision Group makes no warranty, representation or guarantee other than as set forth in the terms and conditions of purchase. **To the maximum extent permitted by applicable law, Vishay Precision Group disclaims (i) any and all liability arising out of the application or use of any product, (ii) any and all liability, including without limitation special, consequential or incidental damages, and (iii) any and all implied warranties, including warranties of fitness for particular purpose, non-infringement and merchantability.**

Information provided in datasheets and/or specifications may vary from actual results in different applications and performance may vary over time. Statements regarding the suitability of products for certain types of applications are based on Vishay Precision Group's knowledge of typical requirements that are often placed on Vishay Precision Group products. It is the customer's responsibility to validate that a particular product with the properties described in the product specification is suitable for use in a particular application.

No license, express, implied, or otherwise, to any intellectual property rights is granted by this document, or by any conduct of Vishay Precision Group.

The products shown herein are not designed for use in life-saving or life-sustaining applications unless otherwise expressly indicated. Customers using or selling Vishay Precision Group products not expressly indicated for use in such applications do so entirely at their own risk and agree to fully indemnify Vishay Precision Group for any damages arising or resulting from such use or sale. Please contact authorized Vishay Precision Group personnel to obtain written terms and conditions regarding products designed for such applications.

Product names and markings noted herein may be trademarks of their respective owners.